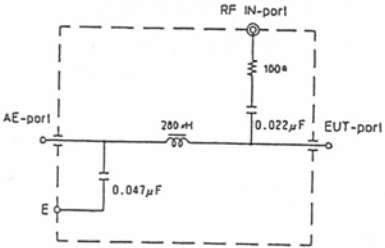
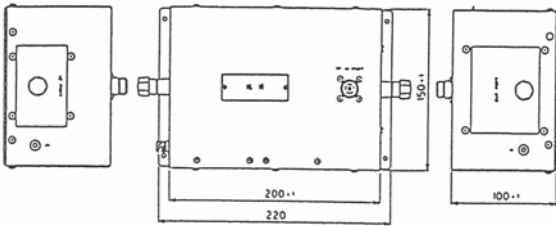
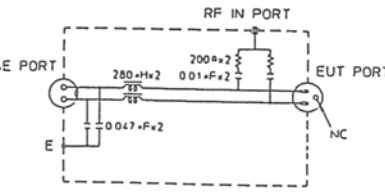
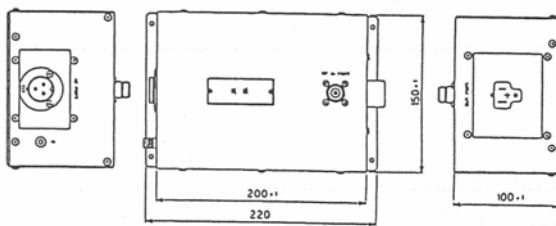
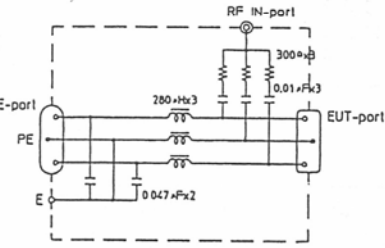
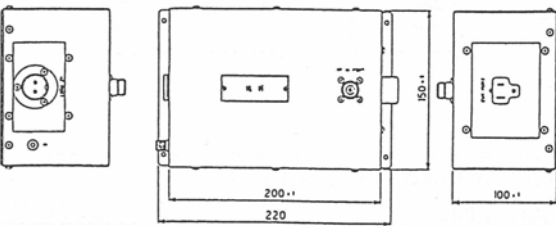
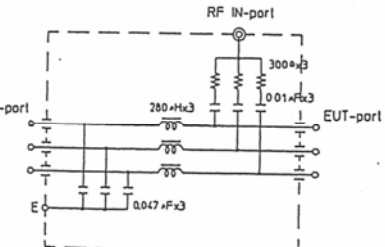
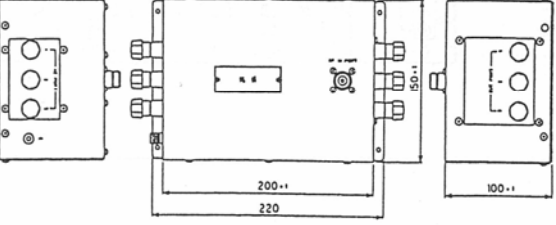


Immunity testing networks KSI-8000 SERIES

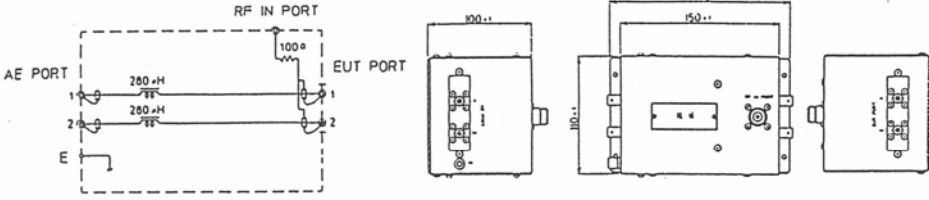
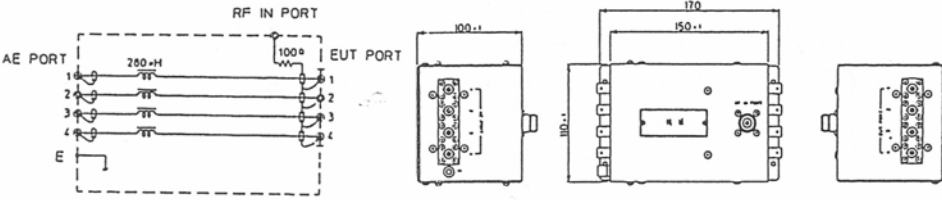
IEC1000-4-6 Conformable

Based on IEC1000-4-6(ENV50141), KSI-8000 series are networks to measure Immunity, to LEVEL 3 of conductive Interference (150kHz ~ 80MHz), for electric and electronics instruments.

| KSI-8001 | Coupling and decoupling networks for power supply lines CDN801-M1 | Specification / Standard |
|---|--|--|
|  |  | <ul style="list-style-type: none"> ● One line type (Terminal) ● AC250V Max. ● 20A Max. ● RF IN-port: N-R ● AE-port : T-3 ● EUT-port : T-3 |
|  |  | <ul style="list-style-type: none"> ● Two line type ● AC250V Max. ● 25A Max. ● RF IN-port: N-R ● AE-port :100R2M ● EUT-port : AC plug socket 3P, EARTH terminal is NC |
|  |  | <ul style="list-style-type: none"> ● Single phase (With EARTH) ● AC250V Max. ● 20A Max. ● RF IN-port: N-R ● AE-port :100R3M ● EUT-port :WK3001 |
|  |  | <ul style="list-style-type: none"> ● Three line type ● AC250V Max ● 20A Max ● RF IN-port:N-R ● AE-port : T-3 ● EUT-port : T-3 |

| | | | |
|-----------|---|-------------|--|
| KSI-8003T | Coupling and decoupling networks for power supply lines | CDN801-M4 | <p>Specification / Standard</p> <ul style="list-style-type: none"> ● 4 line type ● AC440V Max. ● 30A Max. ● RF IN-port: N-R ● AE-port : Bolt terminal M5 ● EUT-port : Bolt terminal M5 |
| KSI-8003U | Coupling and decoupling networks for power supply networks | CDN801-M5 | <p>Specification / Standard</p> <ul style="list-style-type: none"> ● 5 line type ● AC440V Max. ● 30A Max. ● RF IN-port: N-R ● AE-port : Bolt terminal M5 ● EUT-port : Bolt terminal M5 |
| KSI-8004 | Coupling and decoupling networks for signal lines | CDN801-AF 2 | <p>Specification / Standard</p> <ul style="list-style-type: none"> ● 2 line type ● DC50V Max. ● 1A Max. ● RF IN-port: N-R |
| KSI-8005 | Coupling and decoupling networks for signal lines | CDN801-AF 4 | <p>Specification / Standard</p> <ul style="list-style-type: none"> ● 4 line type ● DC50V Max ● 1A Max ● RF IN-port:N-R |

| | | |
|----------|--|---|
| KSI-8006 | Coupling and decoupling networks for signal lines T2 NETWORK | Specification / Standard |
| | | <ul style="list-style-type: none"> ● Two line type ● DC50V Max. ● 0.5A Max. ● RF IN-port: N-R ● AE-port :T-375 ● EUT-port :T-375 |
| KSI-8007 | Coupling and decoupling networks for signal lines T4 NETWORK | Specification / Standard |
| | | <ul style="list-style-type: none"> ● 4 line type ● DC50V Max. ● 0.5A Max. ● RF IN-port: N-R ● AE-port :T-375 ● EUT-port :T-375 |
| KSI-8008 | 150 Ω - 50 Ω Calibration Unit | Specification / Standard |
| | | <ul style="list-style-type: none"> ● 50 Ω port :N-R ● 150 Ω port:T-375 |
| KSI-8009 | Coupling and decoupling networks for signal lines CDN801-S1 | Specification / Standard |
| | | <ul style="list-style-type: none"> ● One line type (Coaxial cable) ● DC50V Max ● 2A Max ● RF IN-port:N-R ● AE-port :BNC-R ● EUT-port :BNC-R |

| KSI-8009T | Coupling and decoupling networks for signal lines | CDN801-S2 | Specification / Standard |
|-----------|---|---|-----------------------------|
| |  | <ul style="list-style-type: none"> ● Two line type (Coaxial cable) ● DC50V Max. 2A Max. ● RF IN-port: N-R ● AE-port :BNC-R ● EUT-port :BNC-R | |
| KSI-8009H | Coupling and decoupling networks for signal lines | CDN801-S4 | Specification / Standard |
| |  | <ul style="list-style-type: none"> ● 4 line type ● DC50V Max. 2A Max. ● RF IN-port: N-R ● AE-port :BNC-R ● EUT-port :BNC-R | |



Kyoritsu Corporation

33-22, Fujimidai 3-chome, Kunitachi, Tokyo 186-0003 JAPAN

Phone: +81-42-501-9881

FAX: +81-42-501-1225

E-Mail: kdksales@kyoritsudenshi.co.jp

<http://www.kyoritsudenshi.co.jp>